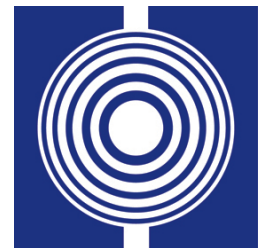


Holochip VHMD

Enhance the immersivity of your VR/AR system with true visual focus cues

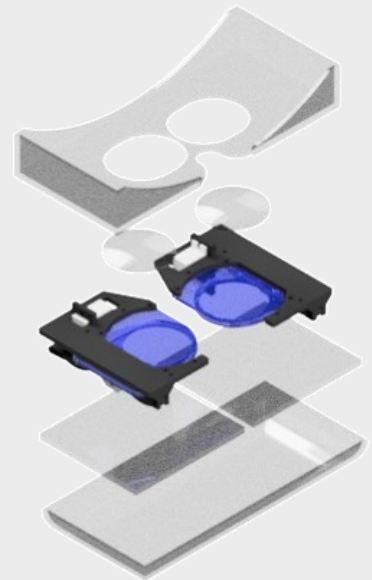
Holochip's VHMD line of focus-tunable eyepiece lenses are ideal for VR and AR headsets. HMDs enabled with correct focusing reduce VR sickness associated with vergence-accommodation conflict. Features include: thin form factor, large dioptric range, fast response time, and low power.



VHMD 2.3.13

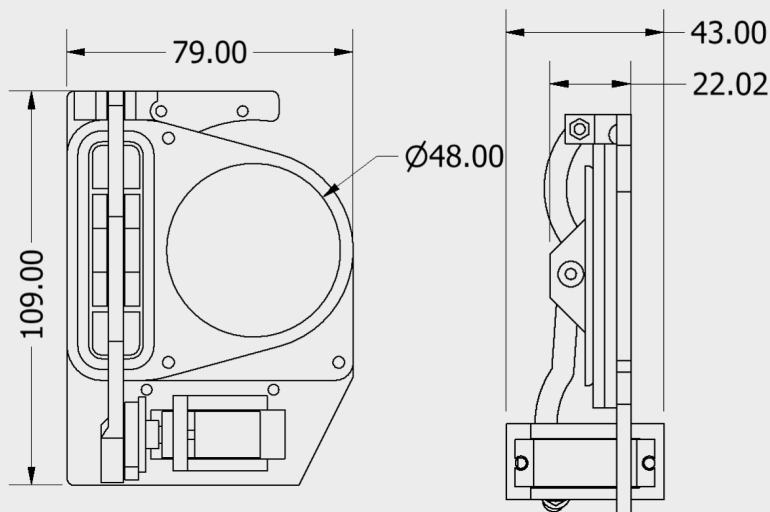
▶ TECHNICAL DATA¹

CLEAR APERTURE	ø48 mm
LOW OPTICAL POWER	+1.5 diopters
HIGH OPTICAL POWER	> +7.5 diopters
WAVE FRONT ERROR ²	< 3 $\lambda/2$
TRANSMISSION ³	~90%
RESPONSE RATE	~0.015 diopter/ms
RESPONSE TIME FULL RANGE	~400 ms
LENS MASS	<85 g
MAX POWER CONSUMPTION	2 Watts (5V, 400 mA), per lens



Exploded view of suggested integration of VHMD into a HMD device.

▶ PHYSICAL DIMENSIONS



All dimensions in mm

¹ All technical data provided is for a single lens

² measured at 532 nm using ~27% of the clear aperture, with a horizontal optical axis

³ Transmission value nearly flat across whole visible spectrum

Holochip Corporation

4040 Spencer St., Unit C, Torrance CA 90503, United States

For more information, please visit www.holochip.com

The appearance of all products, dates, figures, diagrams and tables are subject to change at anytime without notice.
Patent www.holochip.com/patents

